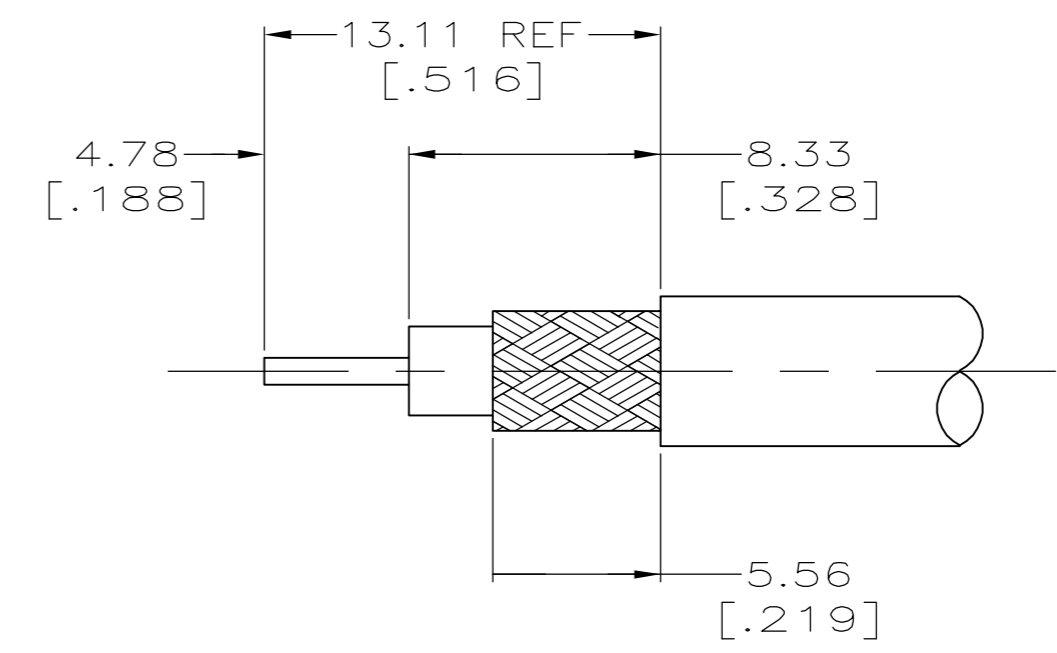
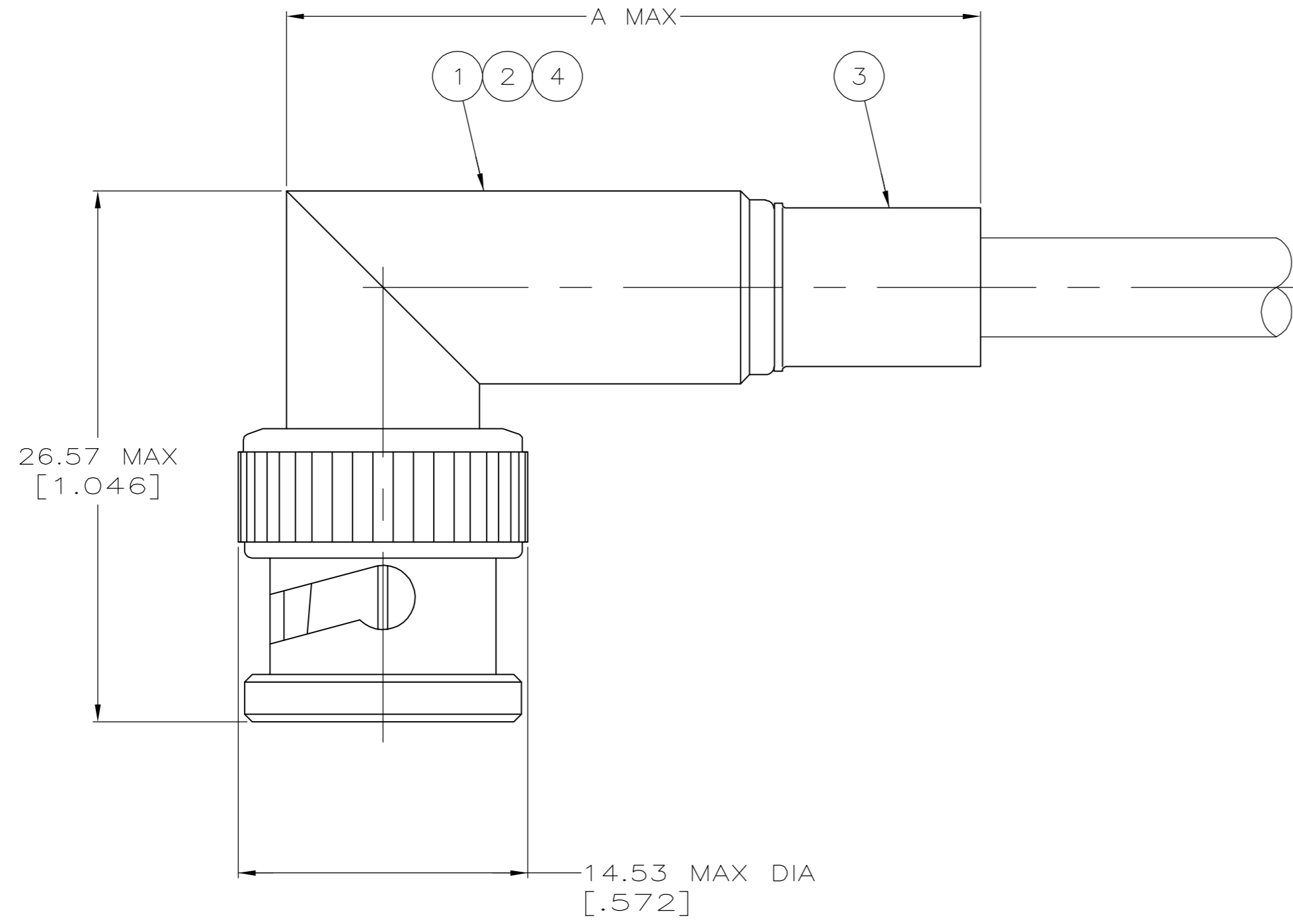


THIS DRAWING IS UNPUBLISHED. RELEASED FOR PUBLICATION
 © COPYRIGHT BY TYCO ELECTRONICS CORPORATION. ALL RIGHTS RESERVED.

LOC		DIST		REVISIONS					
AJ		00		P	LTR	DESCRIPTION	DATE	DWN	APVD
				P1		REV PER ECO 06-029805	2/6/2007	DW	JL

- ① RG-58/U, RG-58A/U, RG-58B/U, & RG-58C/U
- ② RG-55/U, RG-55A/U, RG-55B/U, & RG-223/U
- ③ RG-59/U, RG-59A/U, RG-59B/U, RG-62/U, RG-62A/U, & RG-62B/U
- ④ BELDEN YR-14041 (223 SPECIAL)
- ⑤ BELDEN 88240, HI-TEMP RG-58C/U, & BERK TEK BDTK 58
- ⑥ RG-188/U, 316 TYPE, DOUBLE BRAIDED CABLE
- 7. SEE I.S. 1914-5



RECOMMENDED STRIP LENGTH

OBSOLETE	①	69478-1	39.12 [1.540]	-	9-225381-0	1-331369-6	225975-3	9-225974-0
	⑥	220009-1	37.29 [1.468]	227194-1	9-329049-0	1-331368-2	225975-6	1-225974-1
SUPERSEDED BY 225974-1	⑤	69478-1	39.12 [1.540]	-	9-228783-0	1-331369-6	225975-3	1-225974-0
OBSOLETE	④	69478-1	39.12 [1.540]	-	9-225382-0	331369	225975-5	225974-7
	③	69477-1	37.29 [1.468]	-	9-50428-0	2-331368-3	225975-4	225974-5
	②	69478-1	39.12 [1.540]	-	9-225382-0	1-331369-6	225975-3	225974-2
	①	69478-1	39.12 [1.540]	-	9-225381-0	1-331369-6	225975-3	225974-1
CABLE SIZE	HAND TOOL	A	④ TUBING QTY=1	③ FERRULE QTY=1	② CONTACT QTY=1	① PLUG ASSY QTY=1	PART NUMBER	

THIS DRAWING IS A CONTROLLED DOCUMENT.

DIMENSIONS: mm [INCHES]	TOLERANCES UNLESS OTHERWISE SPECIFIED:	DWN J. LIPPERT 12-12-90	Tyco Electronics Corporation Harrisburg, PA 17105-3608
	0 PLC ± -	CHK M. PHILLIPS 1-18-91	
	1 PLC ± -	APVD M. PHILLIPS 1-18-91	
	2 PLC ± 0.41 [.016]	NAME	
MATERIAL	FINISH	PRODUCT SPEC 108-12020	PLUG, RIGHT ANGLE, DUAL CRIMP, BNC
		APPLICATION SPEC	SIZE A2
		WEIGHT -	CAGE CODE 00779
		CUSTOMER DRAWING	DRAWING NO C=225974
			RESTRICTED TO -
			SCALE 4:1
			SHEET 1 of 1
			REV P1